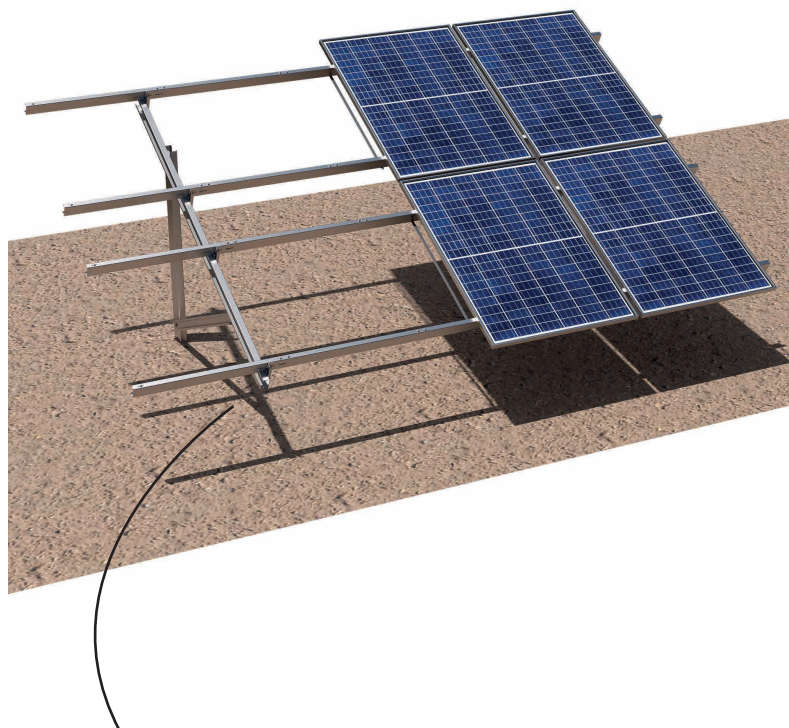


Soluciones de Suelo

Monoposte 2V-H

AI SS



Sistema hincado para suelo

CARACTERÍSTICAS

Disposición 2 filas en vertical

Sistema hincado para suelo

Adaptado al terreno

Perfilería y accesorios de Acero Magnelis

Tornillería de Acero Inox AISI 304
(según UNE-EN 10088-1:2015)

Suministro para grandes plantas

Garantía mínima 10 años



REFERENCIA

Monoposte 2V-H

DESCRIPCIÓN

Estructura Sistema de Hincado

CARACTERÍSTICAS

Disposición 2 filas en vertical

✉ mfrenovables@mfrenovables.com

☎ 924 290 111

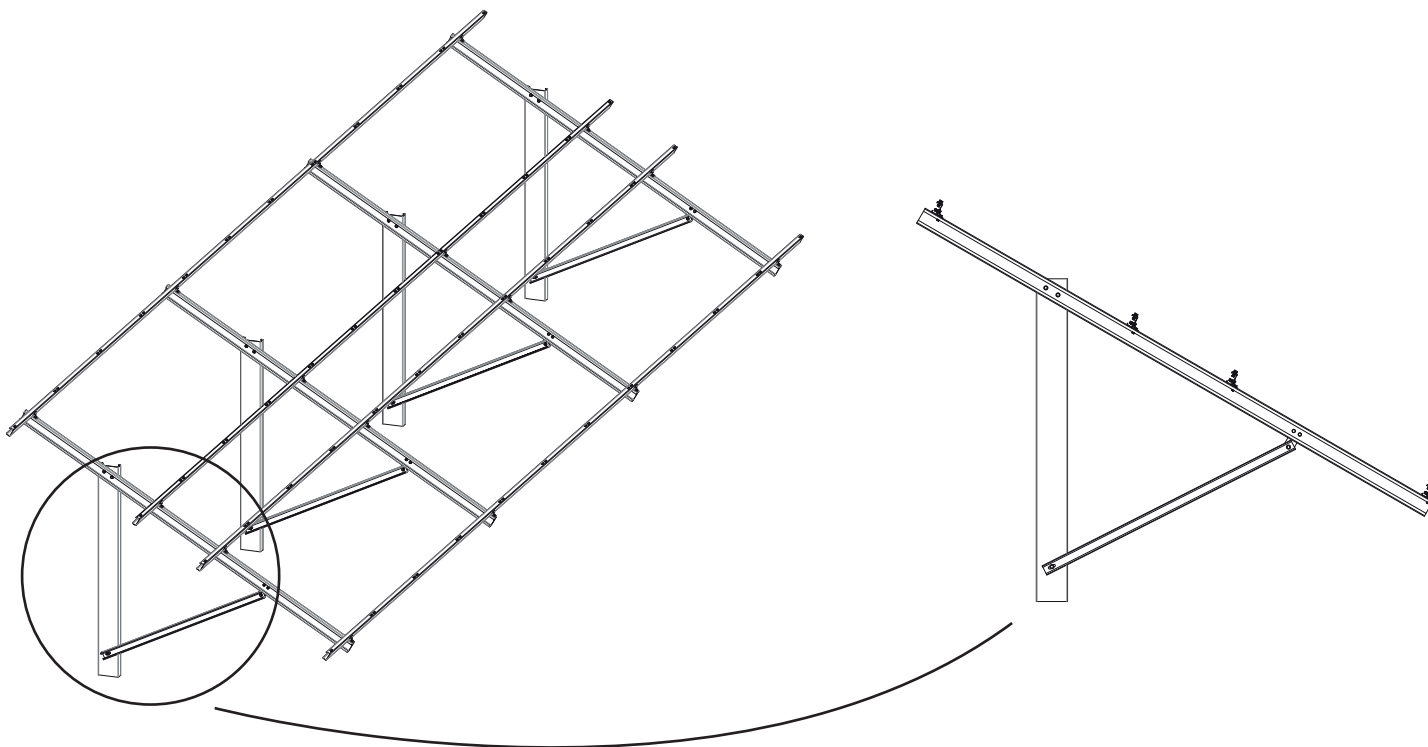
🌐 www.mfrenovables.com

📍 C/ Pedregales, n°16 | 06400 - Don Benito (Badajoz)



Soluciones de Suelo

Monoposte 2V-H



STANDARD CODES	STANDARD TITLES
EN 1990	Eurocode: Basis of structural design
EN 1991-1-4	Eurocode 1: Actions on structures. Part 1-4: General actions- Wind actions
EN 1991-1-3	Eurocode 1: Actions on structures. Part 1-3: Snow loads
EN 1991-1-6	Eurocode 1: Actions on structures. Part 1-6: Actions during execution
EN 1993-1-3	Eurocode 3: Design of steel structures. General rules. Supplementary rules for cold-formed members and sheeting
EN 1993-1-5	Eurocode 3: Design of steel structures. Plated structural elements
EN 1993-1-8	Eurocode 3: Design of steel structures. Design of joints
EN 1993-1-9	Eurocode 3: Design of steel structures. Fatigue
EN 1993-1-10	Eurocode 3: Design of steel structures. Material toughness and through-thickness properties
EN 1993-5	Eurocode 3: Design of steel structures. Piling
EN 1997-1	Eurocode 7: Geotechnical design. General rule
EN 1997-2	Eurocode 7: Geotechnical design. Ground investigation and testing
EN 1998-1	Eurocode 8: Design of structures for earthquake resistance. General rules, seismic actions and rules for buildings
EN_1999-1-1	Eurocode 9: Design of aluminum structures-Part 1-1: General structural rules
EN ISO 14713-1	Zinc coatings- Guidelines and recommendations for the protection against corrosion of iron and steel in structures-Part 1: General principles of design and corrosion resistance
UL 2703	Standard for Mounting Systems, Mounting Devices, Clamping/Retention Devices, and Ground Lugs for Use with Flat-Plate Photovoltaic Modules and Panels
UL 3703	Standard for Solar Trackers
IEC 62727	Photovoltaic systems- Specification for solar trackers
IEC 62817	Photovoltaic systems- Design qualification of solar trackers
ISO 13849	Safety of machinery- Safety related parts of control systems



✉ mfrenovables@mfrenovables.com

☎ 924 290 111

🌐 www.mfrenovables.com

📍 C/ Pedregales, n°16 | 06400 - Don Benito (Badajoz)

